

Cost Effective Acoustic Walls



100MM ALLOY POST

- Cost effective alternative to block walls
- Pre-engineered to 2.4m
- Quick, hassle free installation
- Superior sound reduction
- No rust - modular alloy design
- Unlimited colours, textures & finishes



EvoWall
SLEEK MODERN PRIVACY WALL
100mm Alloy Post

EvoWall > Sleek Modern Privacy Wall

When space is tight, style is important and privacy is a must, the Evowall system comes into its own. Evowall delivers an attractive, cost effective alternative to block walls. The hard wearing acoustic wall panels safeguard you from noisy neighbours. The modular assembly ensures installation is a breeze and the smart design delivers a crack free finish for the lifetime of the wall.

Great for around saltwater pools and coastal locations, the non-corrosive pre-primed 100mm alloy posts and cappings ensure your wall will stand the test of time. A multitude of finishes can be easily applied including paint, render paint and render to achieve your first class finish of choice and slats, lighting, stone, letterboxes and more can be readily integrated for a striking contemporary finish.

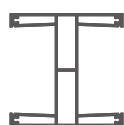
Pre-engineered to 2.4m, Evowall comes with a 10 year structural warranty. Evowall guarantees a sleek, modern privacy wall solution for discerning home and business owners. Whether you install DIY or with your preferred local contractor, work with the team at Wallmark for factory direct personalised service and great advice. Call 1300 925 562 to find out more.

Real Peace and Quiet

Shield your property from noisy neighbour, busy roadways and commercial noise with the ultimate composite sound reduction acoustic panels by Wallmark - NATA tested and certified to AS 1191-2002.



EvoWall 100



1. Alloy Post (mm)
A100CE
450 | 900 | 1200 | 1800 | 2100 | 2400 | 2700 | 3300 | 3600H



2. Wall Panel (mm)
Single & Double Rebate
WP 924 > 900H x 2400L
WP 1224 > 1200H x 2400L
WP 930 > 900H x 3000L
WP 1230 > 1200H x 3000L



3. Alloy Box Capping (mm)
ABC > 2350 | 2950



4. Alloy Flush Capping (mm)
AFC > 2350 | 2950



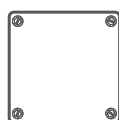
5. Gal Internal Panel Joiner (mm)
PJT > 2350 | 2950



6. Alloy Panel Joiner (mm)
PJT > 2350 | 2950



7. Alloy Post Cap
APC100P - "Plateau"



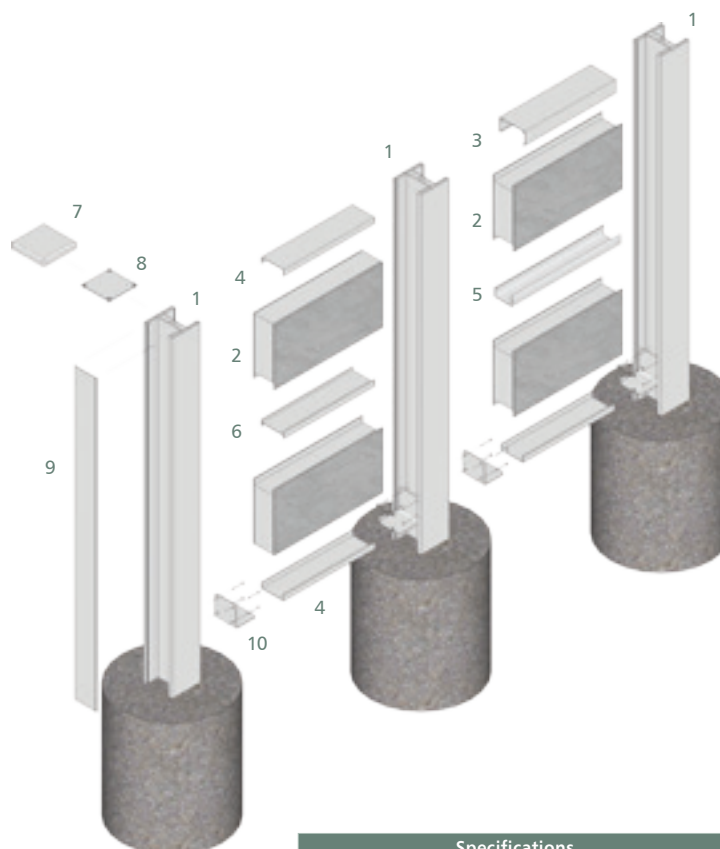
8. Alloy Post Cap
APC100H - "Horizon"



9. Alloy Infill
AINF 300 | 600 | 900 | 1200 | 1800 | 2100 | 2400 | 2700 | 3000 | 3300 | 3600H



10. Alloy Wall Support Bracket
AWSB



Specifications
• Wallmark "EvoWall" Alloy System
• Post Spacing 2440 - 3040mm
• Engineering as per table on back page
• To be installed as per manufactures specification



EvoWall > 100mm Alloy Post

Maximum Post Height & Wind Regions

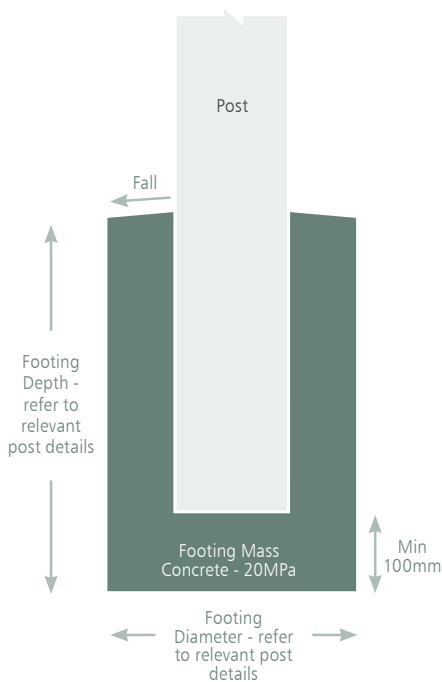
Panel Length mm	Wall Height mm			
	1200	1800	2100	2400
2400	C1	N3	N2	N2
3000	N3	N2	N2	-

Footing Depths for 300mm Diameter Footing for various Wind Regions

Panel Length mm	Wall Height mm			
	1200	1800	2100	2400
2400	N2 - 600	N2 - 600	N2 - 700	N2 - 700
	N3 - 600	N3 - 700	-	-
	C1 - 700	-	-	-
3000	N2 - 600	N2 - 600	N2 - 700	-
	N3 - 600	-	-	-

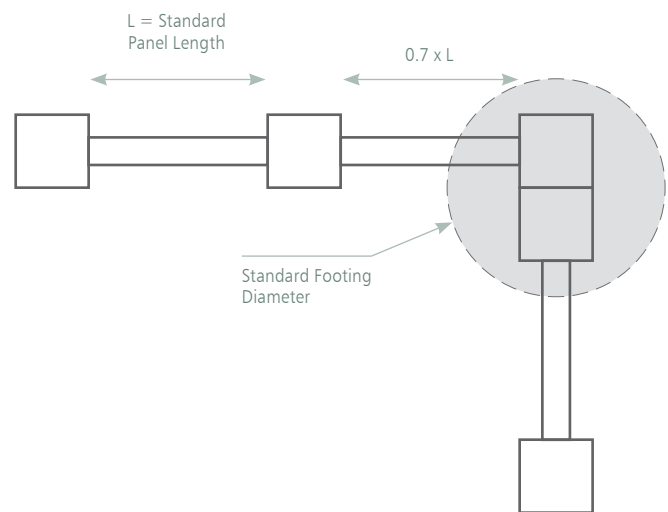
- NOTE > N2 - 600 Denotes 300 Diameter x 600 Deep Footing for Wind Region N2
 > Refer to Footing Detail and Corner Footing pages
 > Corner and Angle Post Footing Diameter must be a minimum of 400mm

Footing Detail



NOTE > Footing Depths are based on Firm Clay. Engineering advice must be sought on Footing Depths for all other soil types.

Post Spacing



At Wallmark, we recognise that when it comes to architectural wall solutions, one design does not fit all. We look forward to working hand in hand with you to solve your acoustic privacy wall challenges.

To find out more about our Smart Acoustic Wall Solutions visit www.wallmark.com.au or call **02 6057 7600**.

